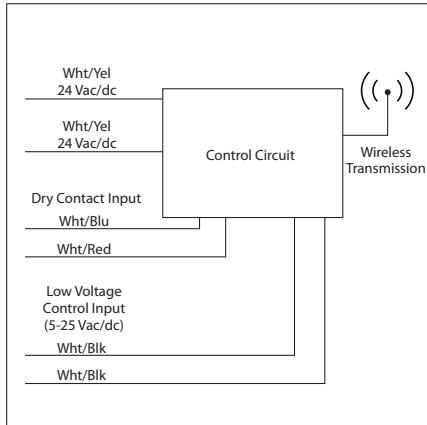
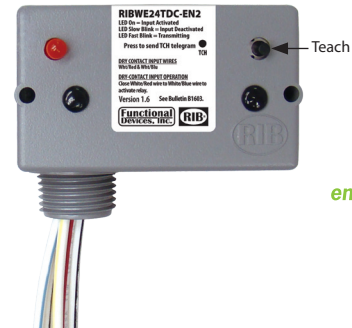


RIBWE24TDC-EN2

EnOcean® Enabled Wireless Transmitter, 315 MHz, 24 Vac/dc Power Input with Dry Contact Input and 5-25 Vac/dc Control Input



Wireless Transmitter



- Compatible with all Functional Devices Wireless Relays (-EN2 Series).

Specifications

Power Input: 24 Vac/dc, 50-60 Hz
Frequency: 315 MHz
Antenna: Integrated antenna, 15cm
Transmission Power: Max. 10mW EIRP
Operating Temperature: -30 to 140° F
Humidity Range: 5 to 95% (noncondensing)
Dimensions: 1.70" x 2.80" x 1.50" with .50" NPT Nipple
Radio Certifications: FCC (US), IC (Canada)
Input Status: LED On = Input Activated
 LED Slow Blink = Input Deactivated
Transmission Status: LED Fast Blink = Transmitting
Wires: 16", 600 V Rated
Housing Rating: UL Accepted for Use in Plenum, NEMA 1
TCH Button: Transmits teach telegram when pressed.

Control Input Ratings:
 .4 mA @ 5 Vdc
 .9 mA @ 10 Vdc
 1 mA @ 12 Vdc
 2 mA @ 24 Vdc
 3 mA @ 24 Vac
 (Non-Polarized)

Power Input Ratings:
 42 mA max @ 24 Vac
 38 mA max @ 24 Vdc

Notes:

- Control one load or one group of loads with a single Wireless Transmitter.
- **Typical range: 50-150 ft.**
 - Open area transmission could be farther. Consult factory for more information.
- **Dry Contact Input Operation:**
 Close White/Red wire to White/Blue wire to activate relay.
- For setup instructions, see website for your -EN2 Series Application Manual.